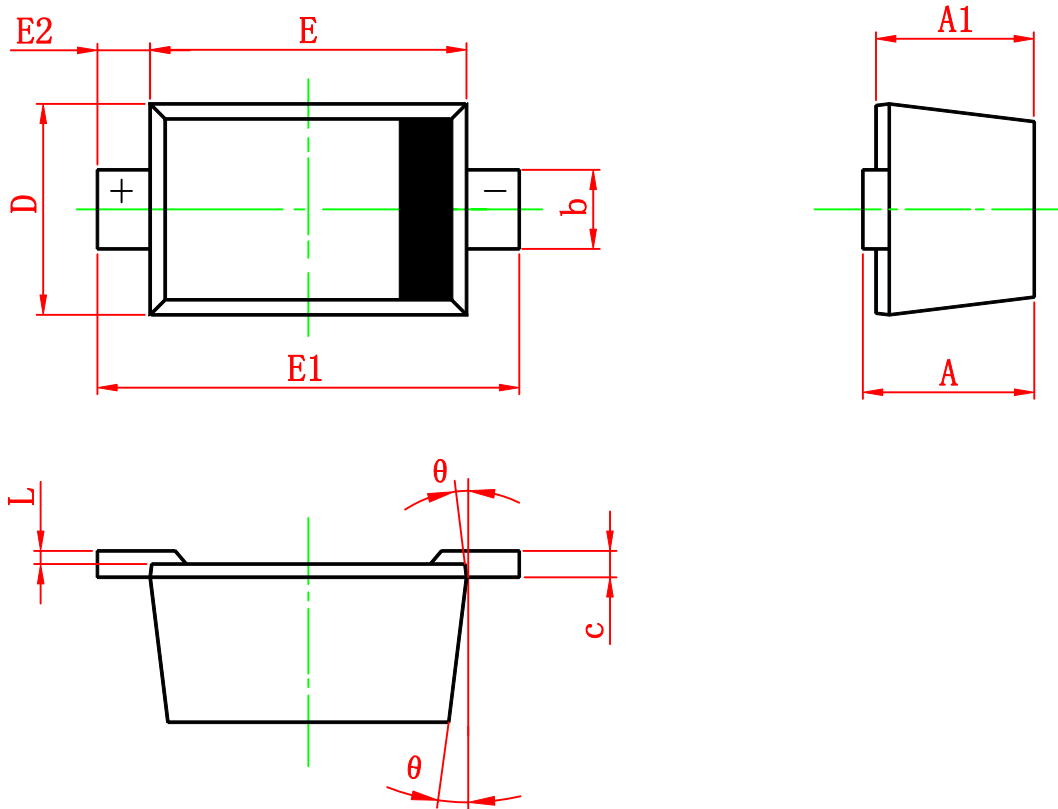


## SOD-523 PACKAGE OUTLINE DIMENSIONS



| Symbol   | Dimensions In Millimeters |       | Dimensions In Inches |       |
|----------|---------------------------|-------|----------------------|-------|
|          | Min                       | Max   | Min                  | Max   |
| A        | 0.510                     | 0.770 | 0.020                | 0.031 |
| A1       | 0.500                     | 0.700 | 0.020                | 0.028 |
| b        | 0.250                     | 0.350 | 0.010                | 0.014 |
| c        | 0.080                     | 0.150 | 0.003                | 0.006 |
| D        | 0.750                     | 0.850 | 0.030                | 0.033 |
| E        | 1.100                     | 1.300 | 0.043                | 0.051 |
| E1       | 1.500                     | 1.700 | 0.059                | 0.067 |
| E2       | 0.200 REF                 |       | 0.008 REF            |       |
| L        | 0.010                     | 0.070 | 0.001                | 0.003 |
| $\theta$ | 7° REF                    |       | 7° REF               |       |